

# Mobile Phone Signal Booster for Telstra 3G/4G (Mobile - Vehicle/Marine Vessel) 56MM-CFGM-T

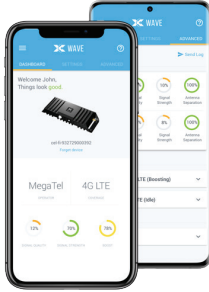
Cel-Fi Go Telstra Mobile provides mobile signal amplification in vehicles (cars, trucks, caravans) or maritime vessels for low reception areas. Combined with an external antenna plus a vehicle, indoor wall, or ceiling mount Omni Directional antenna for even area coverage, so you no longer need to move to a particular spot to receive and make phone calls. In addition, the Cel-Fi Go repeater covers both 3G and 4G signals for mobile calls and data, allowing you to increase your data rate for uninterrupted browsing and streaming, provided an adequate signal is received from an external antenna.

## Features and Benefits

- » Boost your mobile signal with up to 100dB of gain
- » Designed for mobile use in cars, trucks, caravans and maritime installations in private and commercial vessels
- » Approved by Telstra and is locked to Telstra network
- » Use with Cel-Fi WAVE Applications for mobile phones and tablets and PC for easy setup
- » Band selection button for quickly selecting best signal available
- » Plug and play easy setup



# Mobile Phone Signal Booster for Telstra 3G/4G (Mobile - Vehicle/Marine Vessel) 56MM-CFGM-T

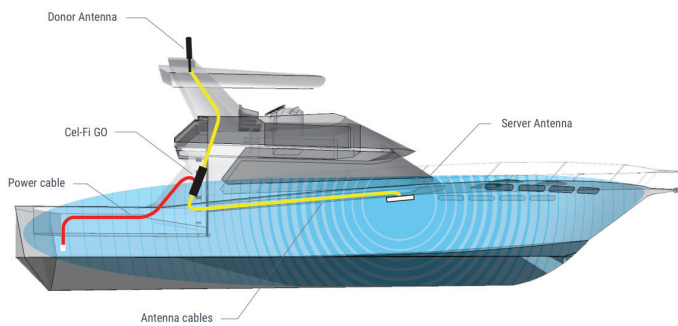
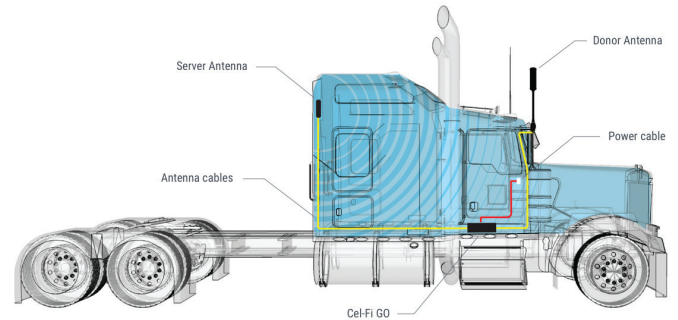
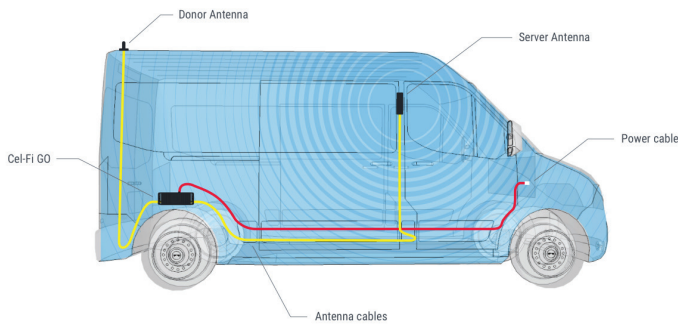


## Cel-Fi Wave App

- Register and setup Cel-Fi Repeaters
- Dashboard information with Boost Strength indicator
- Change settings on repeaters
- Real-time data and metrics to assist to enhance performance
- Free Downloadable App



## Mobile Installation



Typical Mobile Installs