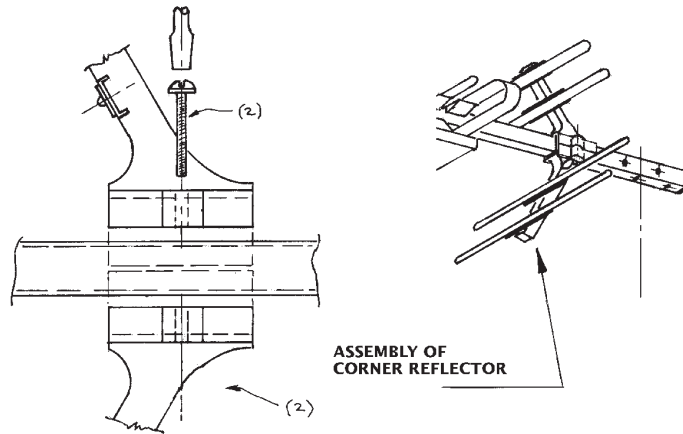


# 02MM-GX500

## UHF Ch (28-51) 18 Element TV Antenna with 4G Filter

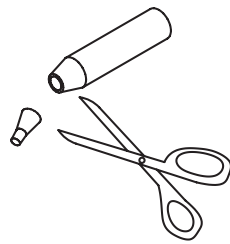
### Step 1

Attach corner reflector to boom.  
 See diagram.



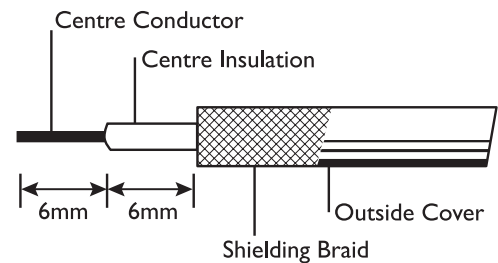
### Step 2

Cut the rubber boot seal provided and slide onto stripped cable as in diagram.



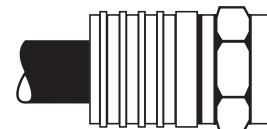
### Step 2A

Strip coax cable as shown in diagram and feed through rubber boot seal.



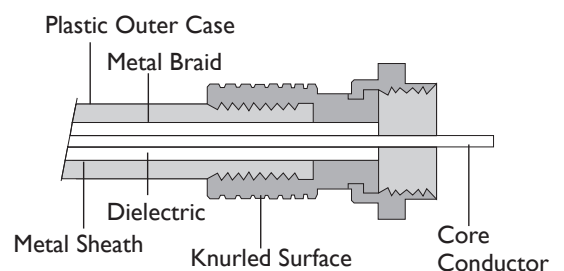
### Step 3

Select connector provided.  
 (Suitable for RG6 or semi airspaced cable)  
 Place "F" connector on back to front and twist to ensure that all braid is flat. See diagram.  
 (For other cable types you will need to purchase the corresponding connector)



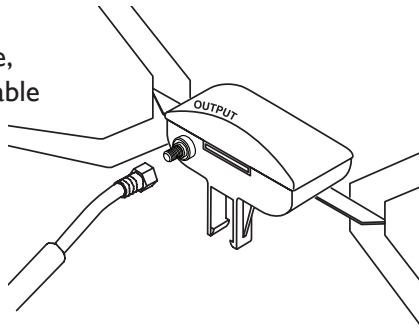
### Step 4

Then insert cable into rear of connector and twist connector clockwise until dielectric is flush with the bottom nut as illustrated. Ensure that 2-3mm of centre core conductor protrudes past the nut and that the braid makes contact with the inner body of the connector.



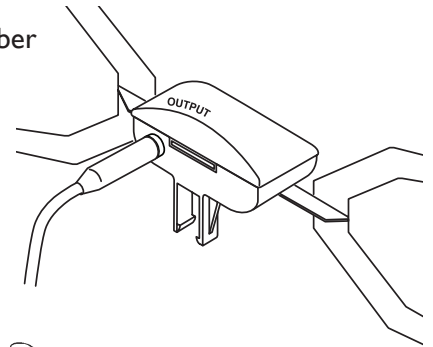
### Step 5

Select the UHF X-Dipole, connect the downlead cable just prepared to the connector on the balun marked "Output".



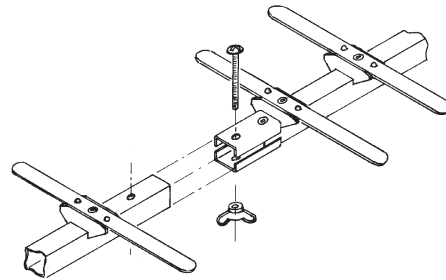
### Step 5A

Then slide rubber boot seals into position as per diagram.



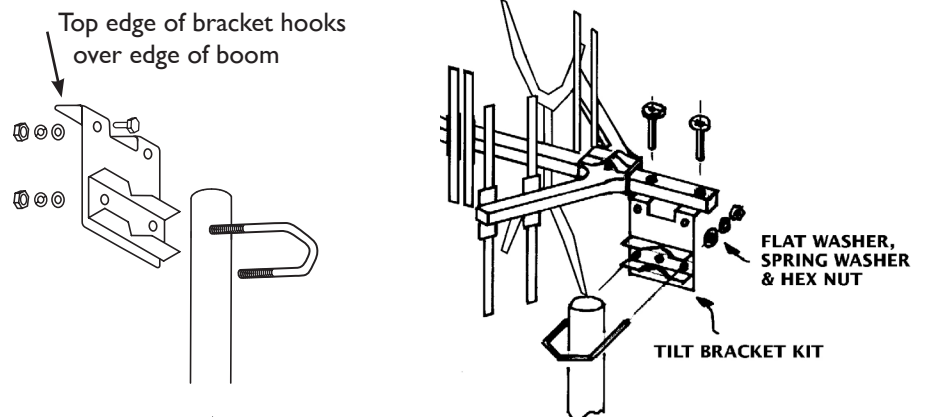
### Step 6

Assemble 2 halves of boom together. See diagram.



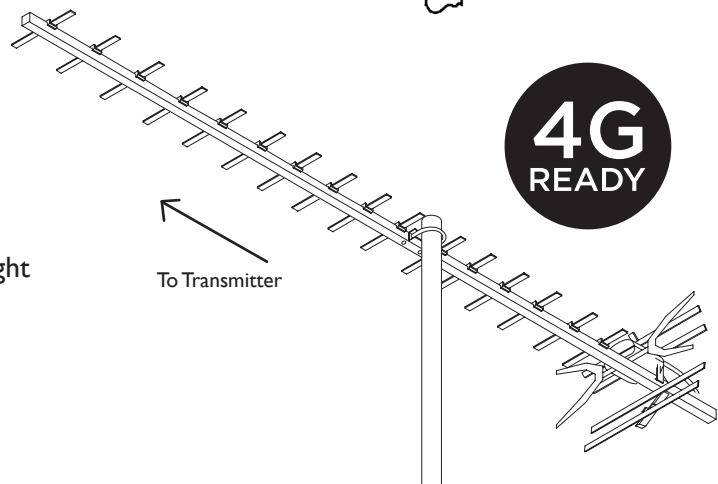
### Step 6a

Assemble "U" bolt and tilt bracket onto the centre of the boom. See diagram. NB: In vertical polarized areas, mount the 'U' Bolt in the holes punched at 90° on adjacent face of boom.



### Step 7

Attach antenna to mast and point to transmitter as in diagram. Rotate antenna to achieve best results. Attach cable to mast with UV grade insulation tape or UV grade cable ties to support cable weight and avoid damage to connection from wind whipping cable from side to side.



### Step 7A

For digital compatibility terminate cable into suitable "F" type splitters such as 07MM-GM02 or 07MM-GM04 or "F" outlet plates such as 05MM-WP01 or 05MM-WP11.

**NB** RG6 cable with aluminium foil and aluminium braid is ideal for digital reception.

**N.B.2** If close to transmitter use DA-FLY2M Quad shield flylead to avoid interference.