

**50MM-WD02**  
**Wi-Fi Video Doorbell with Colour Monitor and Smart Device Access**

**QUICK GUIDE**

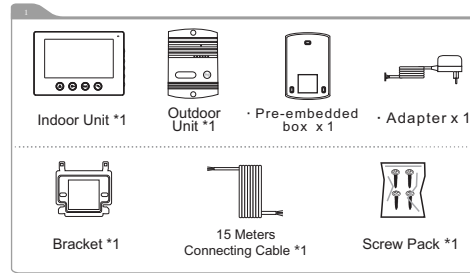


**IMPORTANT:** Remember to change your password from factory default on your app.

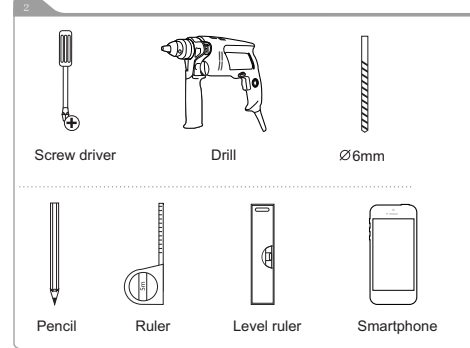
- What's Included ..... 2
- What You Need ..... 2
- Installation Instruction ..... 3
- Function Keys and Operation Instruction ..... 8
- APP Operation Instruction ..... 10
- APP FAQ ..... 11
- Technical Parameters ..... 12
- Trouble Shooting ..... 13
- IC Warnings ..... 15
- EU STANDARDS ..... 15
- FCC Warnings ..... 16

Version 1.1

**What's Included**



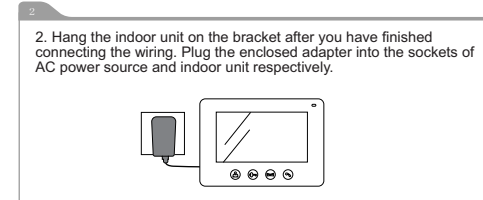
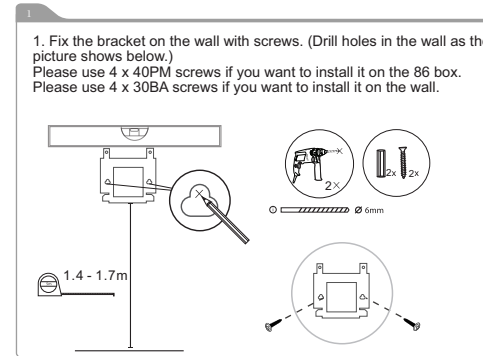
**What You Need**



2

**Installation Instruction**

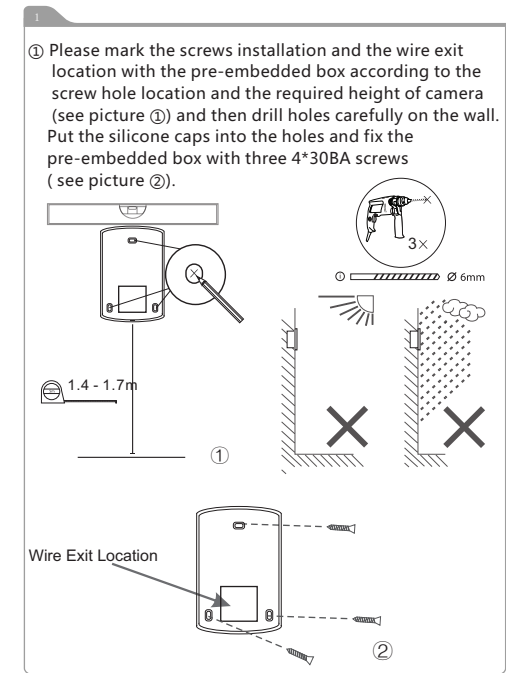
**A. Indoor unit installation**



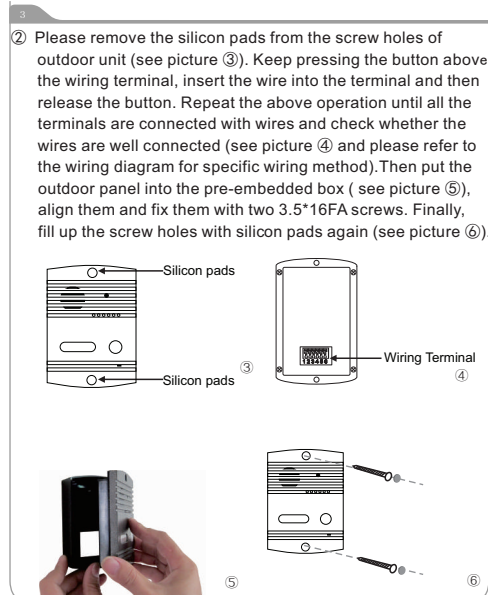
3. This indoor unit can connect with the home router through WiFi. Please ensure the WIFI modem or Wifi gateway has a good signal strength to cover the installation area(Only supported by 2.4GWiFi).

3

**B. Outdoor unit installation**



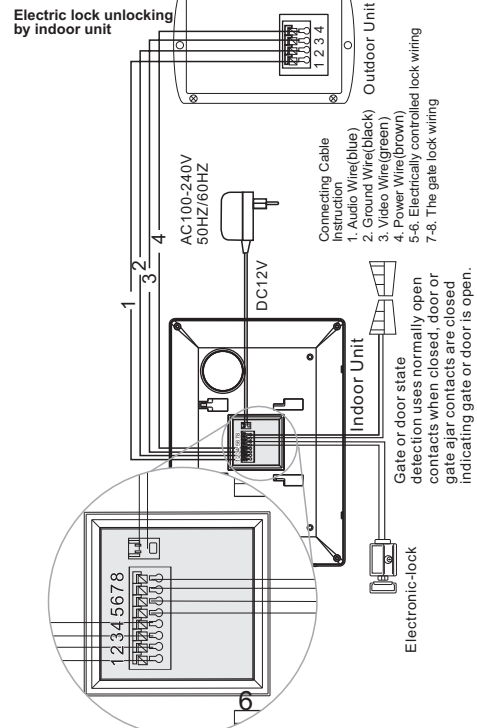
4



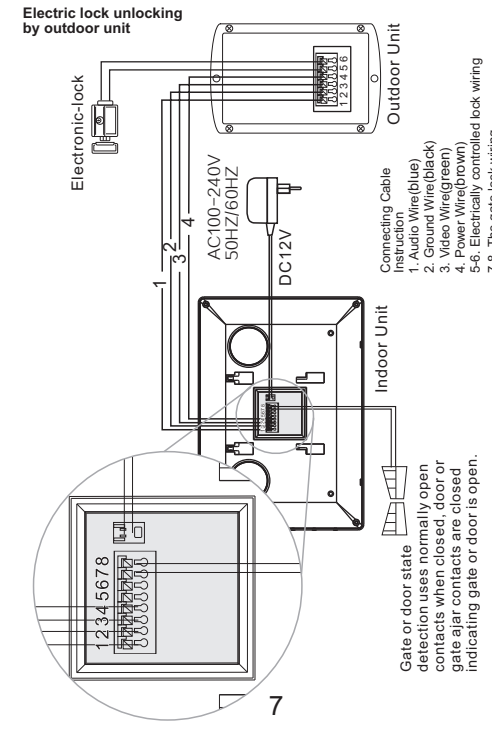
3. Please make sure you have applied the wiring connections correctly, & according to the wiring diagram on page 6 and 7. Please choose only one wiring method to connect the electric lock, either unlocking by indoor unit or unlocking by outdoor unit.

5

**C. Wiring Diagram**



**Wiring Diagram**



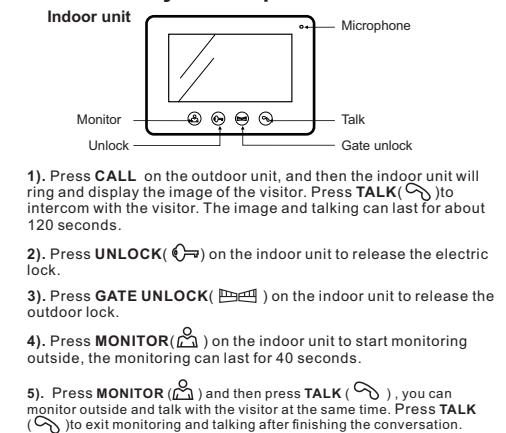
**Wiring**

The enclosed cable is 15 meters, please use RVV4 x 0.5mm<sup>2</sup> cable or CAT5 structured cable if you want to lengthen to 15-30 meters. Connect the wiring terminals 1,2,3,4 of the indoor unit with the wiring terminals 1,2,3,4 of the outdoor unit respectively.

Use RVV2 x 1.0mm<sup>2</sup> cable or CAT5 cable to connect the wiring terminals 5 and 6 of the indoor unit with the electric lock. Use RVV2 x 1.0mm<sup>2</sup> cable to connect the wiring terminals 7 and 8 of the indoor unit with the outdoor gate lock.

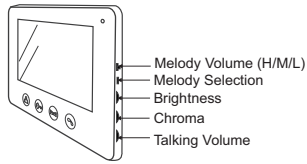
**Note:** Please choose only one connecting method to connect the electric lock, either unlocking by indoor unit or unlocking by outdoor unit. Connect the electric lock with the indoor unit and the outdoor unit at the same time is prohibited and may damage the unit. Please refer to the two wiring diagrams in page 7&8 when doing the connection.

**Function Keys and Operation Instruction**

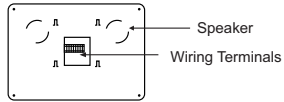


8

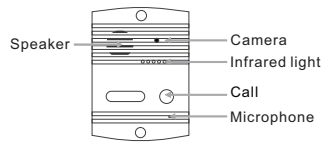
6) Intercom Sequence: Press CALL on the outdoor unit, both the mobile phone and indoor unit will sound a doorbell ringtone. Press TALK on one of the two devices to start intercom, the other device will turn off the ringtone automatically. For example, Press TALK on the mobile phone, the indoor unit will turn off the ringtone and it will be invalid to press any button on the indoor unit. After the mobile phone hangs up and exits the intercom, you can operate on the indoor unit.



7). Use the potentiometer knobs on the right side of the indoor unit to adjust the BRIGHTNESS, CHROMA and TALKING VOLUME.



### Outdoor Unit



9

## APP Operation Instruction

### A. APP Installation

Scan the QR code below to download and install the APP

MM SmartView to your mobile phone

Applied to Android 5.0 / IOS 7.0 or higher



Android



IOS

### B. Operation for adding devices

(1) Place the indoor unit next to the home router or 2.5GHz WiFi enabled gateway (2.4G WiFi) and ensure to connect the power and listen for the beep.

(2) Please connect your mobile phone and the device to the same WiFi network using the WiFi's correct user name and password, and then launch the APP MM SmartView.

(3) Adding steps: Please check it to the help center.

### C. Help Center

Enter the help center interface (Either-or):

(1) After starting the APP for the first time, click "?", in the upper right corner of the interface.

(2) Launch the APP, click on the lower right corner of the "setting", then a setting screen will show up, lastly, select the "Help Center" in the list.

#### Note:

- More instructions can be read in the APP Help Center.
- After the configuration is successful, the mobile device can be remotely controlled via a different WIFI or 4G, 5G mobile network.

10

## APP FAQ

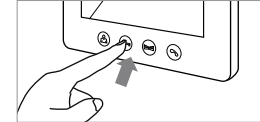
### 1. The APP cannot find new devices when adding a device.

- 1) Please check whether the network you connected is 2.4GWiFi.
- 2) Please check whether the WiFi password you type is correct.
- 3) If the above operation is not successful, a reset action is required, and then re-pair the device again using the instructions to "pair the device".
- 4) Please turn off the power to any existing video door bell units within the network before pairing the unit.

**Note:** The reset action will delete all configuration information on your indoor unit.

#### Reset action:

Long press the "Unlocking Key" then release it after 5 seconds in standby status. Then the unit has returned to factory status after hearing a sound of: "Reset the product successfully, the system will restart".



### 2. Devices not online.

a. Click "Refresh" in the top left corner of the device, to refresh the device status.

b. Please check whether the router's network is normal. Please check whether the mobile is connected to network normally.

c. 5G network is not supported by the indoor unit, please connect with 2.4GWiFi.

d. Once paired to a WiFi network when there are two WiFi networks present or within range the unit must remain within range of that paired network. If the device was added by using WiFi 1, the unit simply will not work when it is taken from WiFi 1 to WiFi 2. If you want to use the device on the WiFi 2 network, please reset the device, delete it from APP and re-add it again.

11

3. Click "Device" always is waiting.

a. Please check the device's online-state.

## Technical Parameters

### Indoor Unit

Screen Size	7 inch
Resolution	800(H)*3RGB*480(V)
Effective Area	154(H)*85.9(V) mm
Outline Dimension	125*152*18 mm
Adapter Input Voltage	AC100~240V 50Hz/60Hz
Adapter Output Voltage & Current	DC12V 1100mA
Monitoring Time	40S±10%
Talking Time	120S±10%
Effective Distance	50m(4*0.5mm <sup>2</sup> )
Power Consumption	Standby State<4.5W, Working State<9.5W
Working Temperature	-10°C ~ +40°C
Relative Humidity	10%~90% (RH)

### Outdoor Unit

Effective Distance	≤ 4m
Working Temperature	-15°C~+50°C
Resolution	≈700TVL
Viewing Angle	45° ±5°
Outline Dimension	125(H)*90(W)*25(D) mm
Pre-embedded dimension	130(H)*95(W)*30(D) mm

12

## Trouble Shooting

Problems	Solutions
No images/signals after you power on the device	Make sure all the connections are secure and properly connected. Make sure there is nothing obstructing the view of the camera.
Calling and intercommunication is normal, but there is no video image on the indoor unit.	Make sure all the connections are secure and properly connected. Make sure there is nothing obstructing the view of the camera.
No audio on the indoor unit when calling	No audio on the indoor unit when calling Make sure the volume notch on the indoor unit is turned up. Make sure there is nothing interfering with the speakers or microphones of the indoor unit or the outdoor unit. Make sure all the connections are secure and properly connected.
The outdoor unit cannot call the indoor unit	Make sure all the connections are secure and properly connected.
The indoor unit will not unlock the door striker after pressing the unlock button.	Make sure the wiring to the door strike is wired correctly and that the wires are properly attached. Make sure you have the lock wired to a power source which is enough to make it operate.
The outdoor unit has no audio from the indoor unit	Press TALK for Two-Party intercom. Make sure all the connections are secure and properly connected.

13

The indoor unit has audio however the outdoor unit has no audio	Press TALK for two-party intercom. Pressing MONITOR simply allows you to see and hear outside but prevents the outside from hearing you. Make sure all the connections are secure and properly connected
The indoor unit is not connecting to the WIFI normally, or the mobile device cannot access the video door bell unit	Make sure the wiring of the indoor unit and the outdoor unit is correctly wired, the doorbell device cannot connect with the mobile phone if the wiring is not correctly connected. Make sure the wiring between indoor unit and outdoor unit is properly connected. Make sure the power supply is connected correctly and turned on after you have connected and checked the wiring. Reboot the unit by turning the power off, waiting 10 seconds and then switching the power on again. Finally check all operations are functioning correctly.

14

## IC Warnings

### English:

1. This device complies with Industry Canada's licence-exempt RSSs. Operation is

subject to the following two conditions:

- (1) This device may not cause interference;
  - (2) This device must accept any interference, including interference that may cause undesired operation of the device.
2. Changes or modifications not expressly approved by the party responsible for compliance could void the user's authority to operate the equipment.

### French:

Le présent appareil est conforme aux CNR d'Industrie Canada applicables aux appareils radio exempts de licence.

L'exploitation est autorisée aux deux conditions suivantes :

- (1) l'appareil ne doit pas produire de brouillage, et
- (2) l'utilisateur de l'appareil doit accepter tout brouillage radioélectrique subi, même si le brouillage est susceptible d'en compromettre le fonctionnement."

## EU STANDARD

Products are compliant with the following standards and have passed the testing. The wireless part of these products have been tested with listed standards and found in compliance with the RED directive 2014/53/EU.

### 1. Safety regulations:

EN 60950 1:2006+A11:2009+A1:2010+A12:2011+A2:2013, EN62311:2008 (Wireless Security Assessment)

### 2. EMC:

EN 55032:2015, EN 61000 3 2:2014, EN 61000 3 3:2013, EN 55035:2017

### 3. Radio:

EN300328 V2.1.1:2016, EN3001489 17 V3.2.0:2017 03, EN3001489 1 V2.2.0:2017 03

15

## FCC Warnings

1. This device complies with Part 15 of the FCC Rules. Operation is subject to the following two conditions:

- 1) This device may not cause harmful interference.
  - 2) This device must accept any interference received, including interference that may cause undesired operation.
2. Changes or modifications not expressly approved by the party responsible for compliance could void the user's authority to operate the equipment.

**NOTE:** This equipment has been tested and found to comply with the limits for a Class B digital device, pursuant to Part 15 of the FCC Rules. These limits are designed to provide reasonable protection against harmful interference in a residential installation. This equipment generates uses and can radiate radio frequency energy and, if not installed and used in accordance with the instructions, may cause harmful interference to radio communications. However, there is no guarantee that interference will not occur in a particular installation. If this equipment does cause harmful interference to radio or television reception, which can be determined by turning the equipment off and on, the user is encouraged to try to correct the interference by one or more of the following measures:

1. Reorient or relocate the receiving antenna.
2. Increase the separation between the equipment and receiver.
3. Connect the equipment into an outlet on a circuit different from that to which the receiver is connected.
4. Consult the dealer or an experienced radio/TV technician for help.

### FCC Radiation Exposure Statement

This equipment complies with FCC radiation exposure limits set forth for an uncontrolled environment. This equipment should be installed and operated with minimum distance 20cm between the radiator & your body.

16